

# 2WIN

## IrDA Printer MANUAL



**DEPRECATED LEGACY FEATURE –  
ONLY FOR BACKWARDS COMPATIBILITY**

## Revision notes

Software configuration version	2WIN/2WIN-S 5.6.0
Publication date	2022/02/17
Hardware configuration	Version 37.1
Rev Num.	1.0_EN



## General notes

**Family:** 2WIN VISION ANALYZER

**Family intended use:** Portable instruments for the measurement of binocular and monocular refraction based on infrared photorefracton

**Models:** 2WIN, 2WIN-S, 2WIN-S PLUS

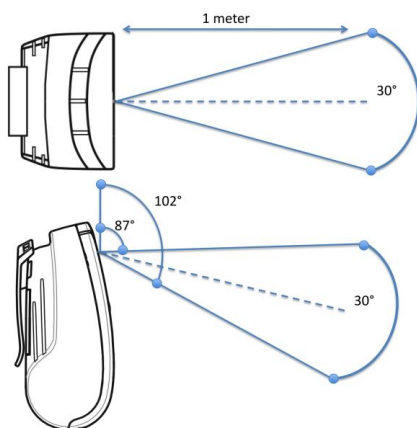
## Print to portable infrared printers

-  For a detailed description of the functionalities of 2WIN and 2WIN-S, please refer to the respective manual.
-  For further information on buttons' functionalities, please refer to *2WIN Operator Manual*.

2WIN is compatible with three specific battery-operated printers:

- 1) Manufacturer GEBE – Model 11898 GPT-4378-Flash-79-V.24-IrDA  
Compatible with 2WIN software version greater than 4.1.161213
- 2) Manufacturer SEIKO – Model dpu-s\_245  
Compatible with 2WIN software version greater than 4.1.161213
- 3) Manufacturer ZEBRA – Model MZ220-it

In order to print or to save the data, long press BUTTON B once the measurement is finished. If you want to print via the external optional portable IrDA (Infrared Data Association) printer, remember to point the machine towards the printer according to the following diagram before pressing the button.



You can print the same exam as many times as needed.

When printing to IrDA printer, the data transmission can be interrupted and aborted by keeping the BUTTON B pressed for 1 second.

## Configure the infrared printer

This page describes how to manually configure the IR printers:

- Manufacturer GEBE – Model 11898 GPT-4378-Flash-79-V.24-IrDA  
Compatible with 2WIN software version greater than 4.1.161213

The printer is pre-set with the following configuration:

- Interface: **RS232/USB/Blue** → has to be set on: **IrDA**
- Baudrate: **115200** → has to be set on: **9600**
- Font: **1** → has to be set on: **2**

**Button ON = ENTER**

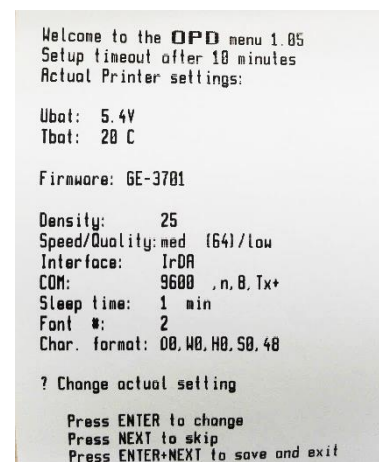
**Button OFF = NEXT (or to scroll down in the Menu)**

- A. Insert a paper roll in the printer
- B. Recharge the printer through the provided charger
- C. Switch on the printer by pressing the ON button (green light flashing)
- D. Press OFF and ON simultaneously: a stripe with the Menu will be printed. You now need to change the configuration of *Interface*, *Baudrate* and *Font* in the Menu as follows:

1. Press ON once (to change the settings)
2. Press OFF twice (until it prints on the stripe “Interface RS232/USB/Blue”)
3. Press ON once (it prints “Interface IrDA”)
4. Press OFF once (until it prints “Baudrate 115200”)
5. Press ON four times (until it prints “Baudrate 9600”)
6. Press OFF three times (until it prints “Font 1”)
7. Press ON once (it prints “Font 2”)
8. Press ON and OFF simultaneously to save the new settings
9. You get a “SETUP-FINISHED” printout

The printer is now ready to be used.

The figure on the right displays the correct printer configuration:



```
Welcome to the OPD menu 1.05
Setup timeout after 10 minutes
Actual Printer settings:

Ubat: 5.4V
Tbat: 20 C

Firmware: GE-3701

Density: 25
Speed/Quality: med (64)/low
Interface: IrDA
COM: 9600 ,n,8,1x+
Sleep time: 1 min
Font #: 2
Char. format: 00,40,40,50,40

? Change actual setting

Press ENTER to change
Press NEXT to skip
Press ENTER+NEXT to save and exit
```

## Information for assistance

For any service requirement, please contact your distributor. Nevertheless, you can contact directly Adaptica at: [support@adaptica.com](mailto:support@adaptica.com).